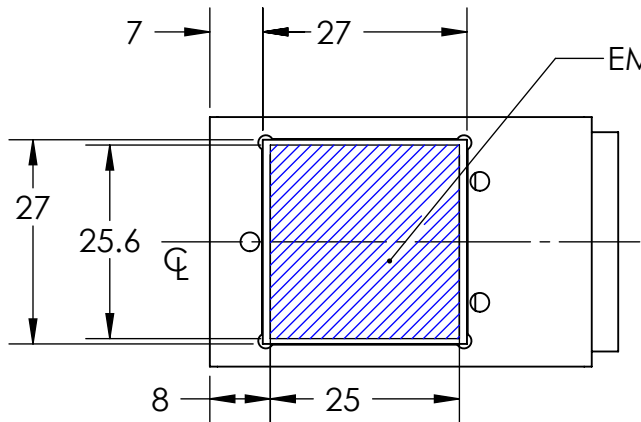
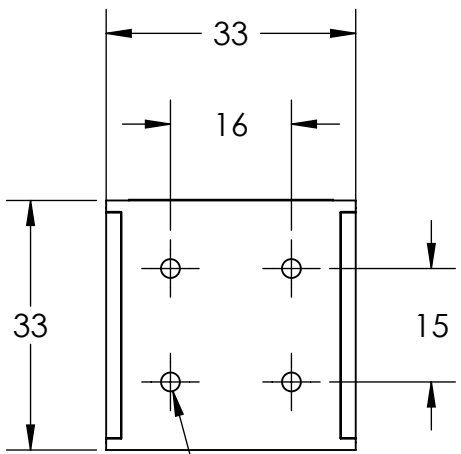
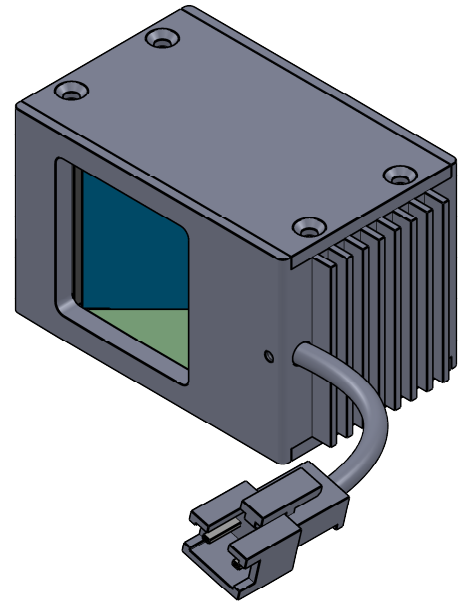


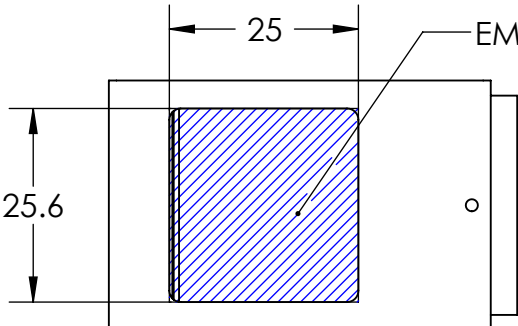
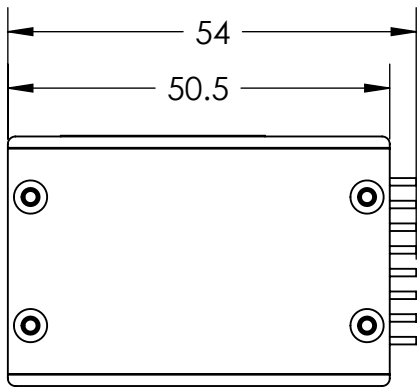
REVISIONS		EDIT BY	DATE:(d/m/y)
REV.	DESCRIPTIONS		



EMITTING AREA



4X TAP M3X0.5 - ∇ 6 NOT THRU



EMITTING AREA

DESIGN BY	FIRDAUS	UNIT: MM
CHECK BY	NIZAM	\oplus \ominus SIZE A4
DATE	26/5/2022	REVISION: 01
MATERIAL	-	SCALE: 1:1
FINISHING	-	
QTY	-	

PRODUCT SERIES: CAS2 SERIES		
TITLE	DRAWING LAYOUT	GEN. TOLERANCES
PART NO	CAS2-00-025-X-X-24V	X \pm 0.15
DWG NO	-	X.X \pm 0.1
		X.XX \pm 0.05
		SHEET 1 OF 1

