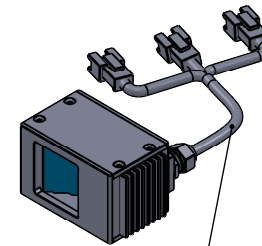
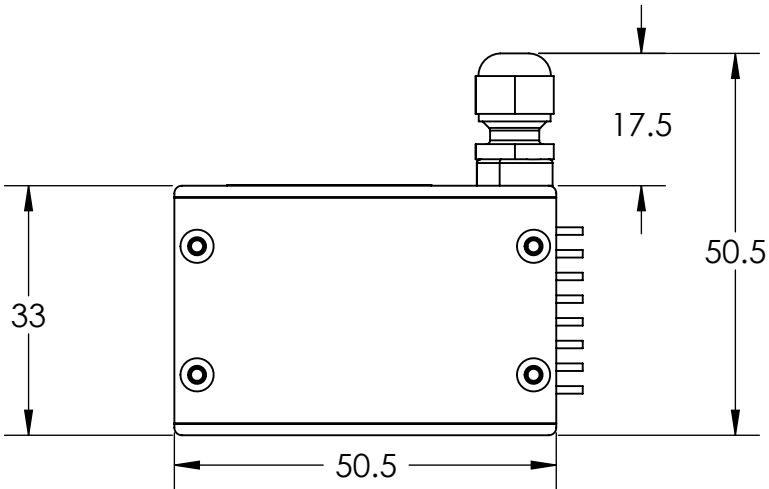
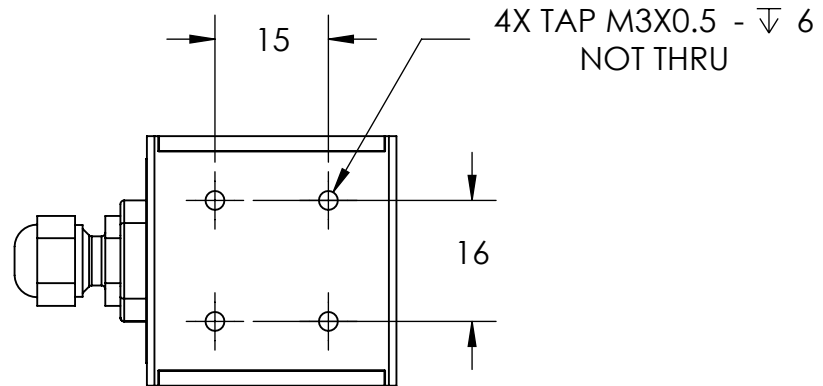
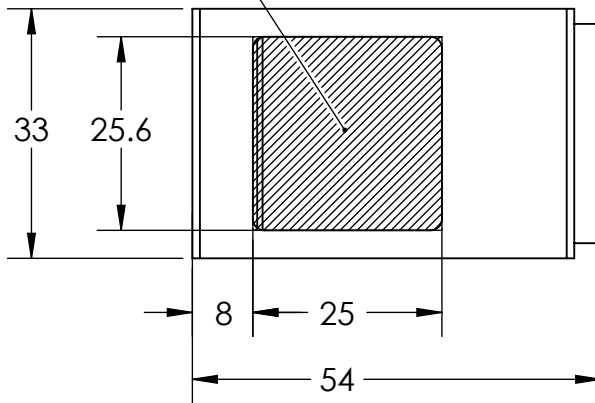


REVISIONS			
REV.	DESCRIPTIONS	EDIT BY	DATE:(d/m/y)



3 X 24V CONNECTOR
& 50CM CABLE

EMITTING AREA



DESIGN BY	FIRDAUS	UNIT: MM	PRODUCT SERIES: CAS2 SERIES	
CHECK BY	NIZAM	SIZE A4		
DATE	26/5/2022	REVISION:	TITLE	
MATERIAL	-	01	PART NO	DRAWING LAYOUT
FINISHING	-	SCALE:	DWG NO	CAS2-00-025-X-RGB-24V
QTY	-	1:1	-	
				GEN. TOLERANCES
				X ±0.15
				X.X ±0.1
				X.XX ±0.05
				SHEET 1 OF 1

