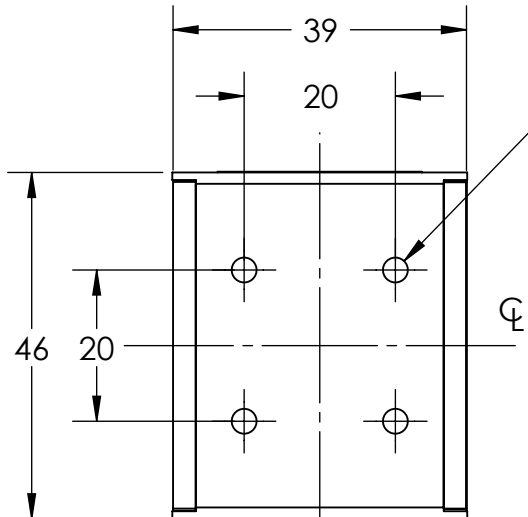
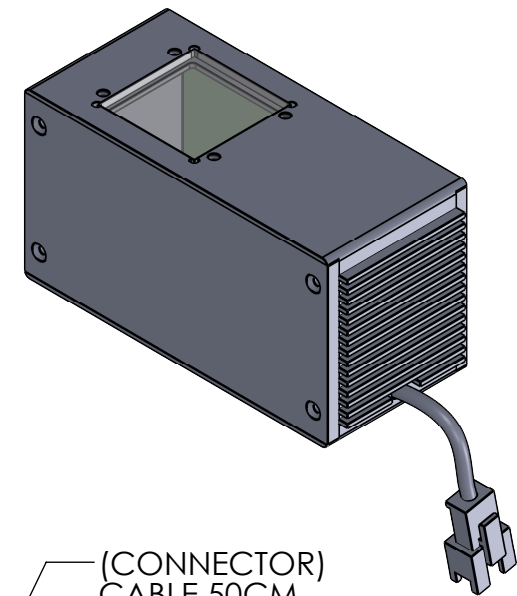
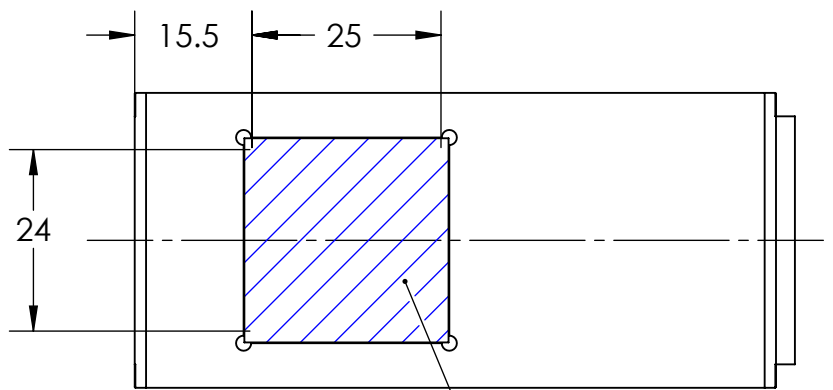


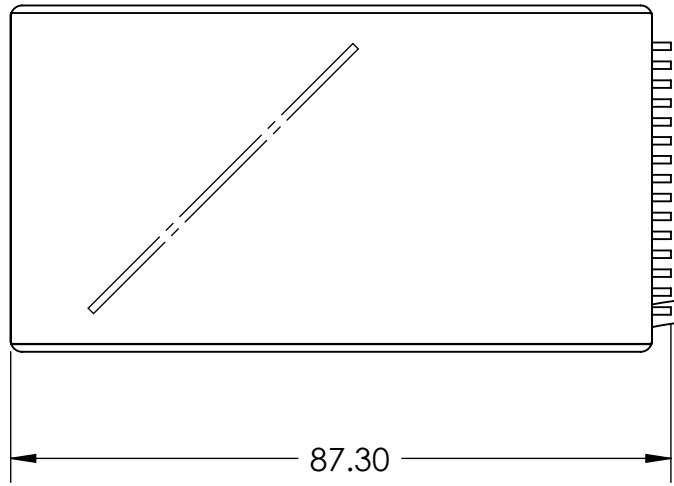
REVISIONS			
REV.	DESCRIPTIONS	EDIT BY	DATE:(d/m/y)



4X TAP M4 ∇ 6 N.S.

LIGHT EMITTING AREA

(CONNECTOR)
CABLE 50CM



DESIGN BY	FIRDAUS	UNIT: MM	PRODUCT SERIES: CAS2 SERIES	
CHECK BY	NIZAM	\oplus \ominus SIZE A4	TITLE DRAWING LAYOUT	
DATE	26/5/2022	REVISION:	PART NO	CAS2-00-020-X-X-24V
MATERIAL	-	01	DWG NO	-
FINISHING	-	SCALE:	GEN. TOLERANCES	
QTY	-	1:1	X	\pm 0.15
			X.X	\pm 0.1
			X.XX	\pm 0.05
			SHEET 1 OF 1	

