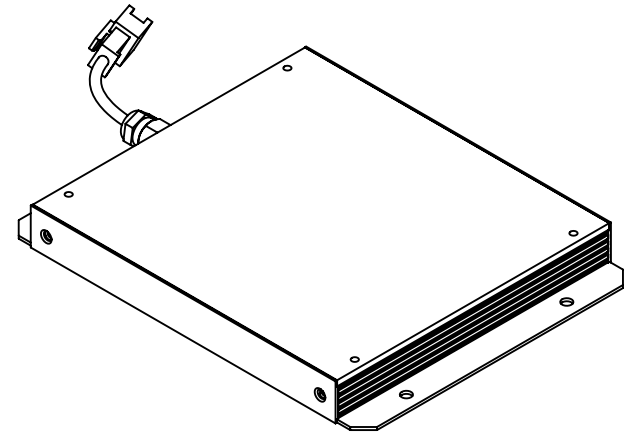
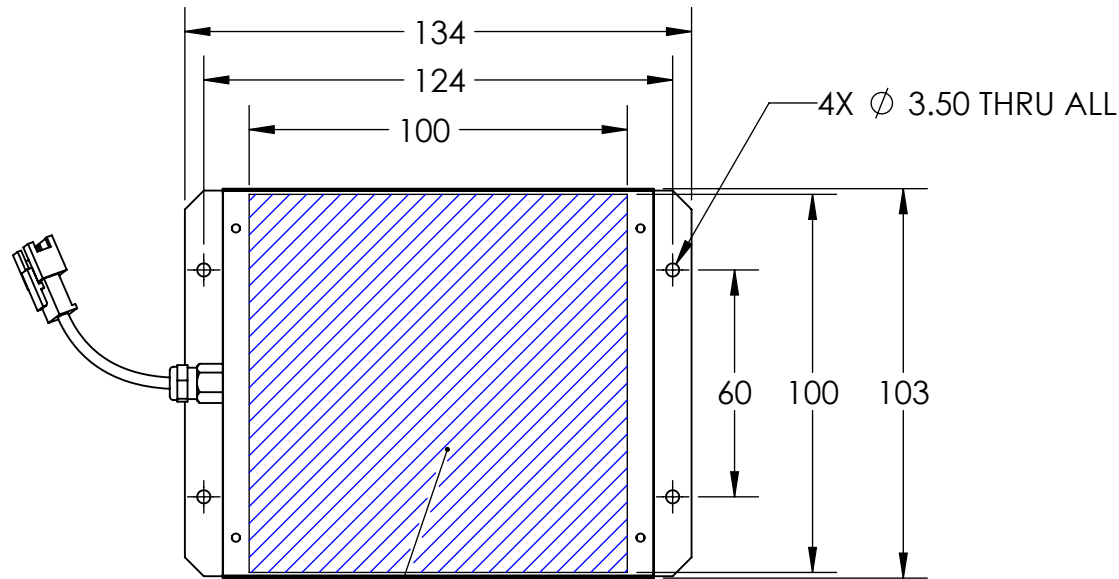


1 2 3 4 5 6 7 8

REVISIONS			
REV.	DESCRIPTIONS	EDIT BY	DATE:(d/m/y)

D



D

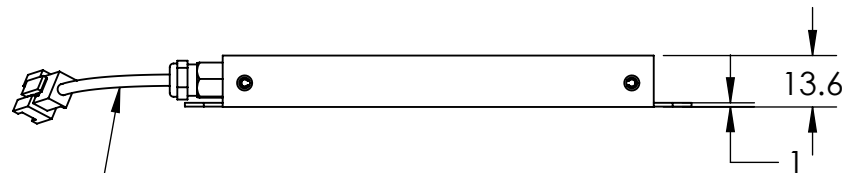
C

C

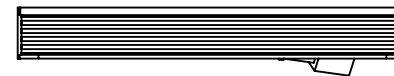
EMITTING AREA

B

B



CABLE & CONNECTOR



A

A



DESIGN BY	FIRDAUS	UNIT: MM
CHECK BY	NIZAM	⊕ ⊖ SIZE A4
DATE	26/5/2022	REVISION:
MATERIAL	-	01
FINISHING	-	SCALE:
QTY	-	1:1

PRODUCT SERIES: BHS4 SERIES

TITLE	DRAWING LAYOUT	GEN. TOLERANCES X ±0.15 X.X ±0.1 X.XX ±0.05 SHEET 1 OF 1
PART NO	BHS4-00-100-X-X-24V	
DWG NO	-	

1 2 3 4 5 6 7 8