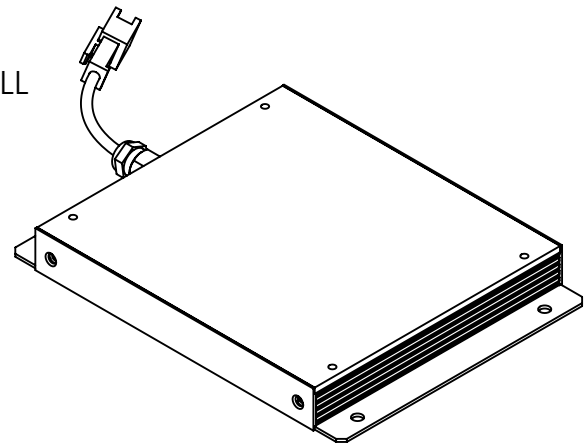
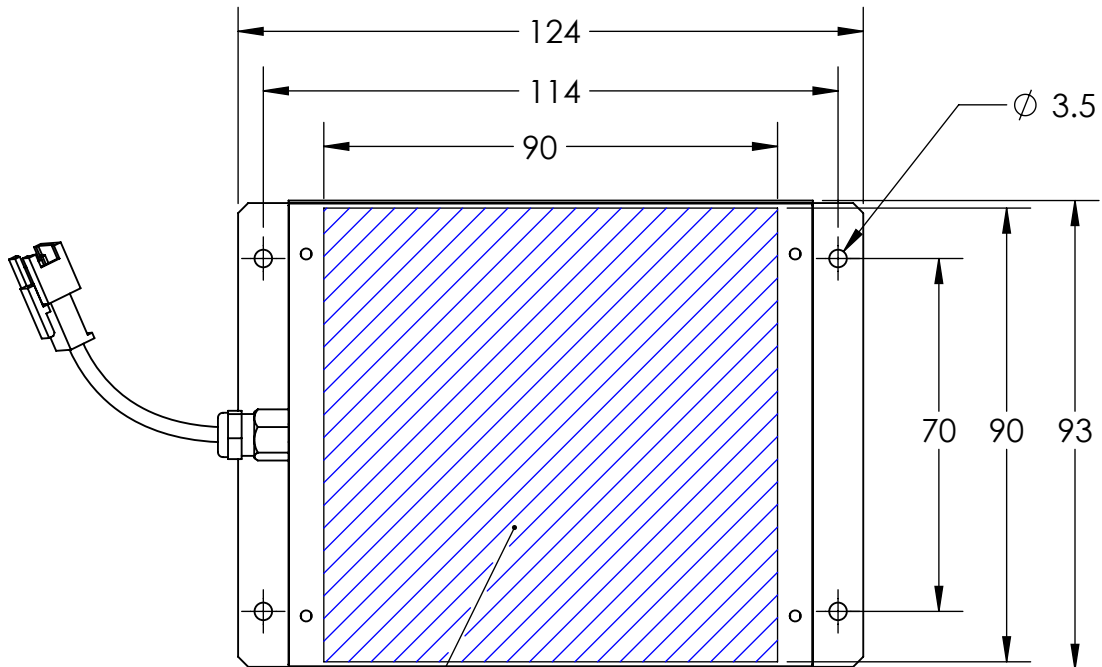


1 2 3 4 5 6 7 8

REVISIONS			
REV.	DESCRIPTIONS	EDIT BY	DATE:(d/m/y)

D



D

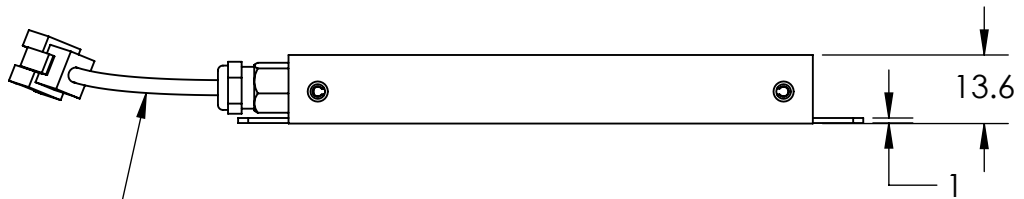
C

C

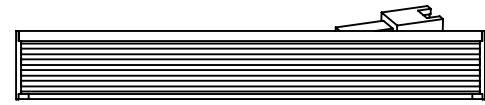
EMITTING AREA

B

B



CABLE & CONNECTOR



A

A



DESIGN BY	FIRDAUS	UNIT: MM
CHECK BY	NIZAM	ϕ \square SIZE A4
DATE	26/5/2022	REVISION:
MATERIAL	-	01
FINISHING	-	SCALE:
QTY	-	1:1

PRODUCT SERIES: BHS4 SERIES

TITLE	DRAWING LAYOUT	GEN. TOLERANCES
PART NO	BHS4-00-090-X-X-24V	X ± 0.15
DWG NO	-	X.X ± 0.1
		X.XX ± 0.05
		SHEET 1 OF 1

1 2 3 4 5 6 7 8