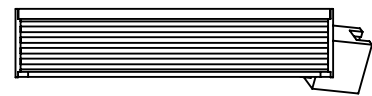
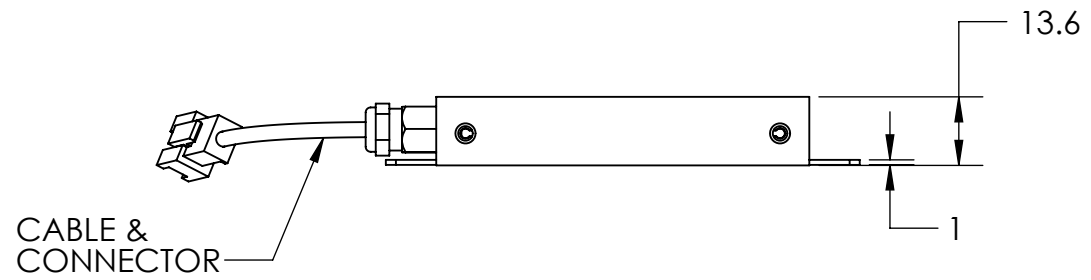
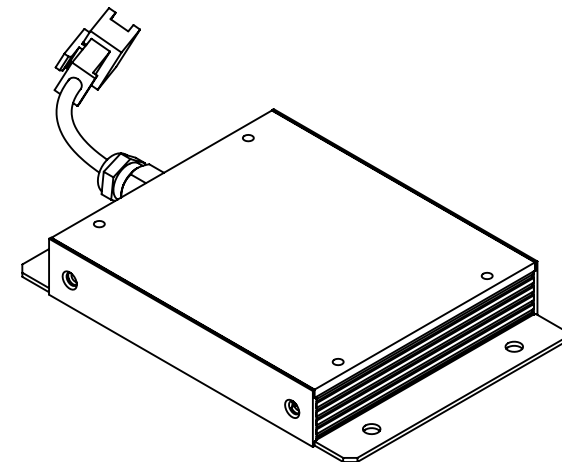
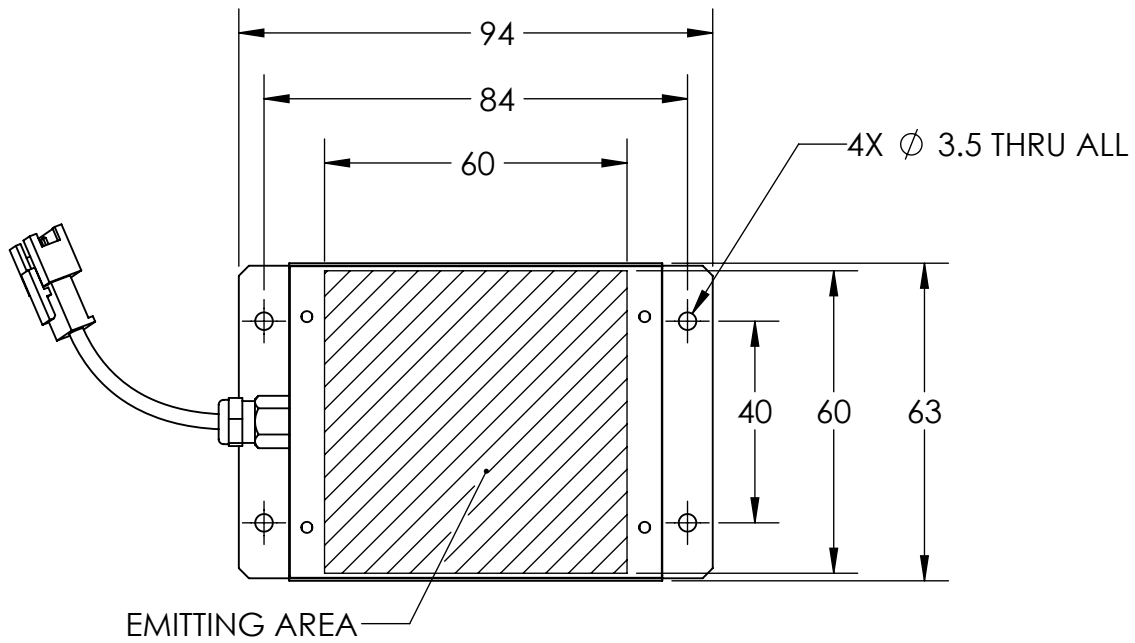



1 2 3 4 5 6 7 8

REVISIONS			
REV.	DESCRIPTIONS	EDIT BY	DATE:(d/m/y)



DESIGN BY	FIRDAUS	UNIT: MM	PRODUCT SERIES: BHS4 SERIES	
CHECK BY	NIZAM	⊕ ⊖ SIZE A4		
DATE	26/5/2022	REVISION:	TITLE	DRAWING LAYOUT
MATERIAL	-	01	PART NO	BHS4-00-060-X-X-24V
FINISHING	-	SCALE:	DWG NO	-
QTY	-	1:1	GEN. TOLERANCES	
 <b>TMS LITE SDN. BHD.</b> (Co. No. 071971V) LED ILLUMINATION SOLUTION PARTNER			X	±0.15
			X.X	±0.1
			X.XX	±0.05
			SHEET 1 OF 1	

1 2 3 4 5 6 7 8

D

C

B

A

D

C

B

A