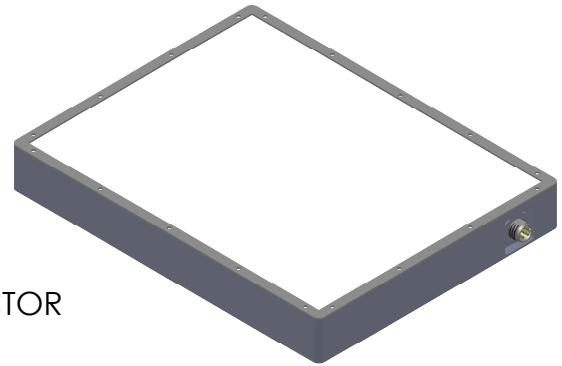


1 2 3 4 5 6 7 8

REVISIONS			
REV.	DESCRIPTIONS	EDIT BY	DATE:(d/m/y)

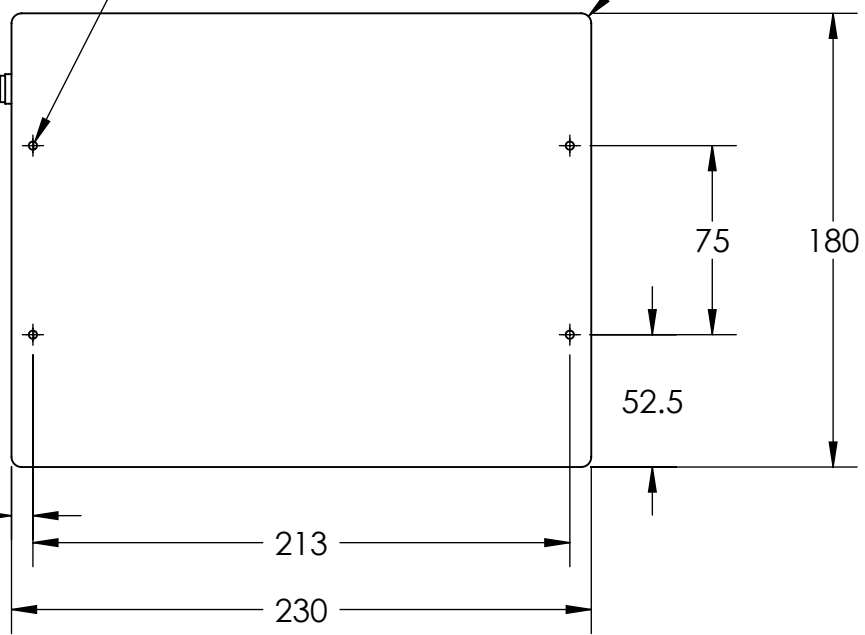
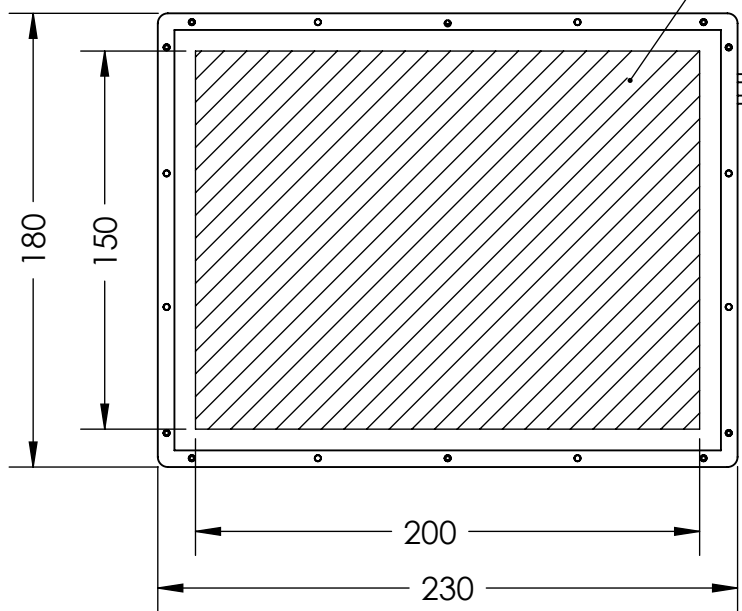
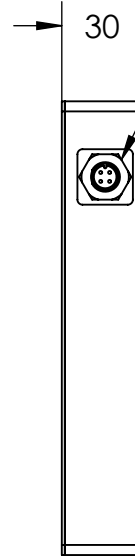


LIGHT EMITTING AREA

LIGHTING CONNECTOR

4X - TAP M4,  $\nabla$  6

R4



DESIGN BY	FIRDAUS	UNIT: MM
CHECK BY	NIZAM	$\oplus$ $\ominus$ SIZE A4
DATE	9/6/2022	REVISION:
MATERIAL	-	01
FINISHING	-	SCALE:
QTY	-	1:1

PRODUCT SERIES: BHP SERIES		GEN. TOLERANCES	
TITLE	DRAWING LAYOUT	X	$\pm 0.15$
PART NO	BHP1520-X-X-24V	X.X	$\pm 0.1$
DWG NO	-	X.XX	$\pm 0.05$
		SHEET 1 OF 1	



1 2 3 4 5 6 7 8

D

C

B

A

D

C

B

A