

1 2 3 4 5 6 7 8

REVISIONS			
REV.	DESCRIPTIONS	EDIT BY	DATE:(d/m/y)

D

C

B

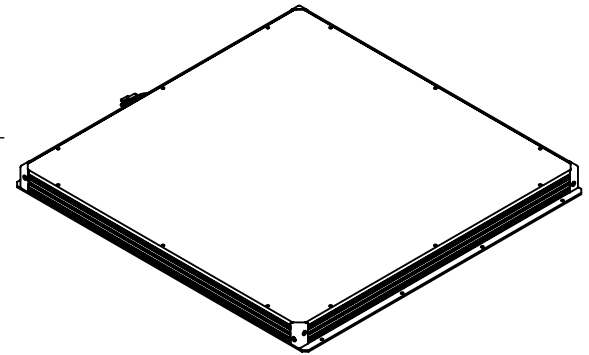
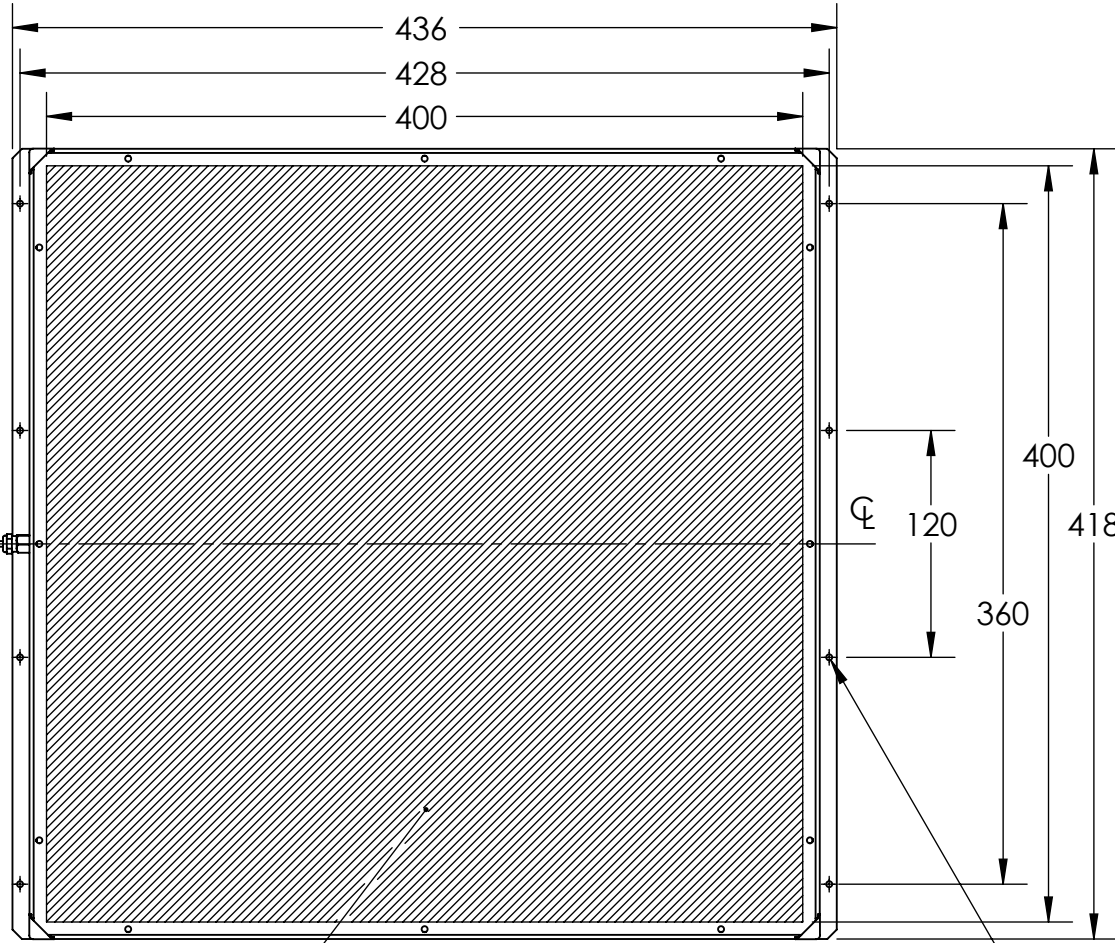
A

D

C

B

A



CABLE & CONNECTOR

EMITTING AREA

8 X Ø 3.2 THRU



DESIGN BY	FIRDAUS	UNIT: MM	PRODUCT SERIES: BHLX3 SERIES	
CHECK BY	NIZAM	⊕ ⊖ SIZE A4	TITLE	
DATE	26/5/2022	REVISION:	DRAWING LAYOUT	
MATERIAL	-	01	PART NO	BHLX3-00-400X400-X-X-24V
FINISHING	-	SCALE:	DWG NO	-
QTY	-	1:1	GEN. TOLERANCES	
			X	±0.15
			X.X	±0.1
			X.XX	±0.05
			SHEET 1 OF 1	



1 2 3 4 5 6 7 8