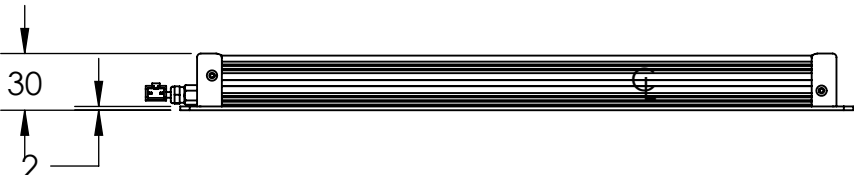
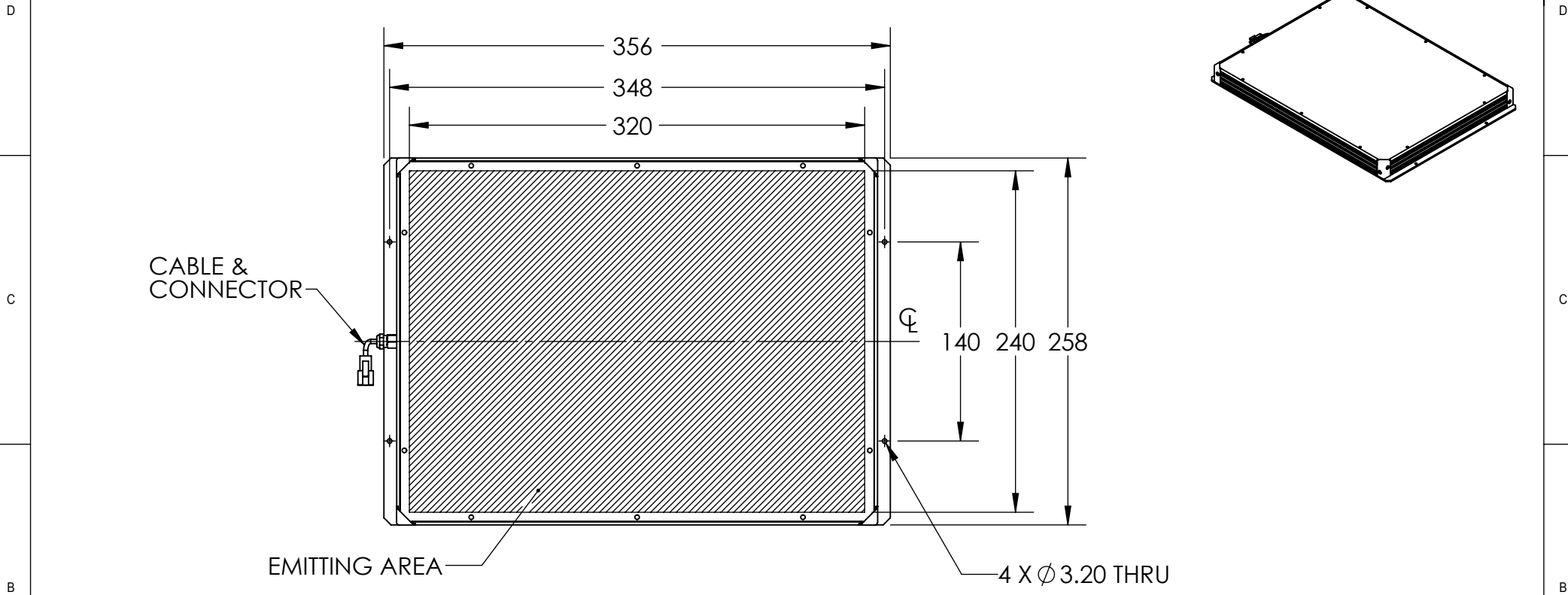


1 2 3 4 5 6 7 8

REVISIONS			
REV.	DESCRIPTIONS	EDIT BY	DATE:(d/m/y)



DESIGN BY	FIRDAUS	UNIT: MM	PRODUCT SERIES: BHLX3 SERIES	
CHECK BY	NIZAM	⊕ ⊖ SIZE A4		
DATE	26/5/2022	REVISION:	TITLE	DRAWING LAYOUT
MATERIAL	-	01	PART NO	BHLX3-00-240X320-X-X-24V
FINISHING	-	SCALE:	DWG NO	-
QTY	-	1:1	GEN. TOLERANCES	
SHEET 1 OF 1				

1 2 3 4 5 6 7 8