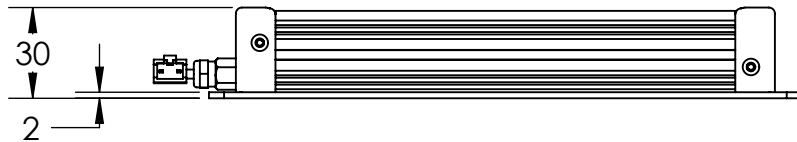
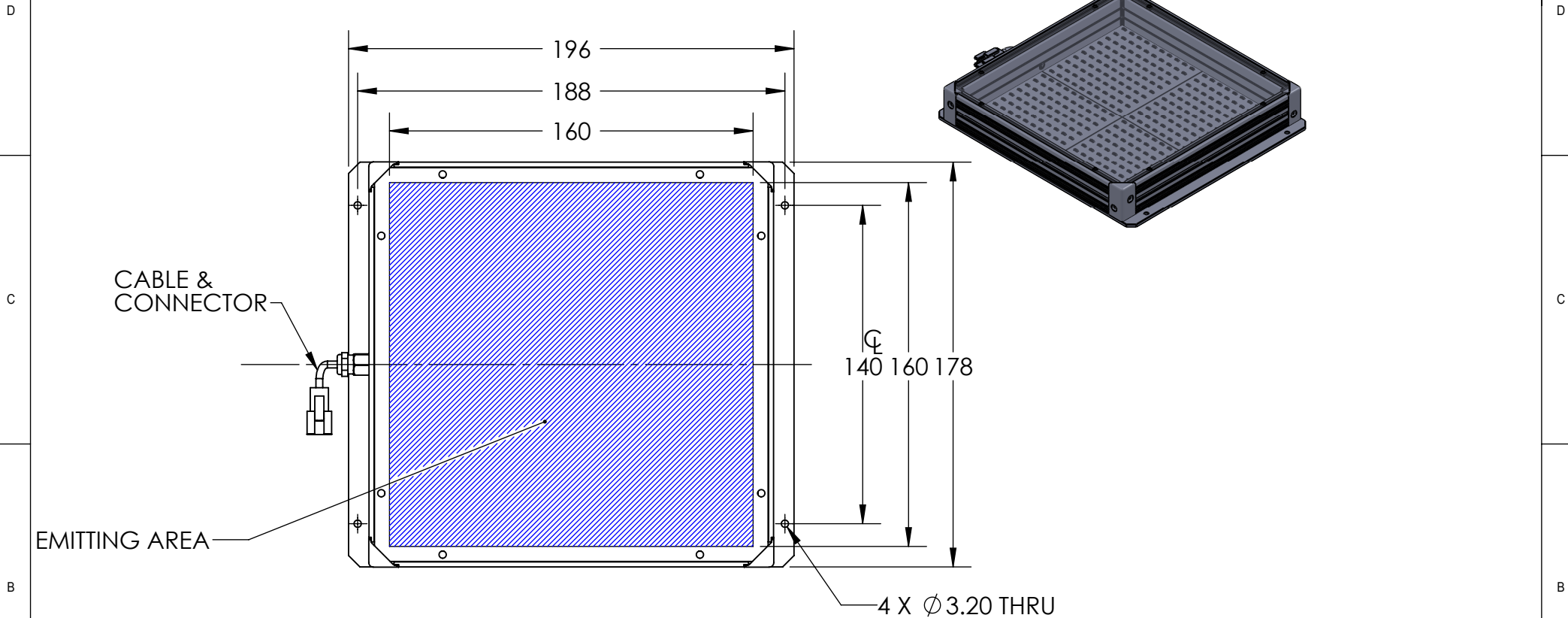


1 2 3 4 5 6 7 8

| REVISIONS |              |         |              |
|-----------|--------------|---------|--------------|
| REV.      | DESCRIPTIONS | EDIT BY | DATE:(d/m/y) |
|           |              |         |              |



EMITTING AREA

CABLE & CONNECTOR

4 X Ø 3.20 THRU

|           |           |             |                              |                          |
|-----------|-----------|-------------|------------------------------|--------------------------|
| DESIGN BY | FIRDAUS   | UNIT: MM    | PRODUCT SERIES: BHLX3 SERIES |                          |
| CHECK BY  | NIZAM     | ⊕ ⊖ SIZE A4 |                              |                          |
| DATE      | 26/5/2022 | REVISION:   | TITLE                        | DRAWING LAYOUT           |
| MATERIAL  | -         | 01          | PART NO                      | BHLX3-00-160X160-X-X-24V |
| FINISHING | -         | SCALE:      | DWG NO                       | -                        |
| QTY       | -         | 1:1         | GEN. TOLERANCES              |                          |
|           |           |             | X                            | ±0.15                    |
|           |           |             | X.X                          | ±0.1                     |
|           |           |             | X.XX                         | ±0.05                    |
|           |           |             | SHEET 1 OF 1                 |                          |



1 2 3 4 5 6 7 8