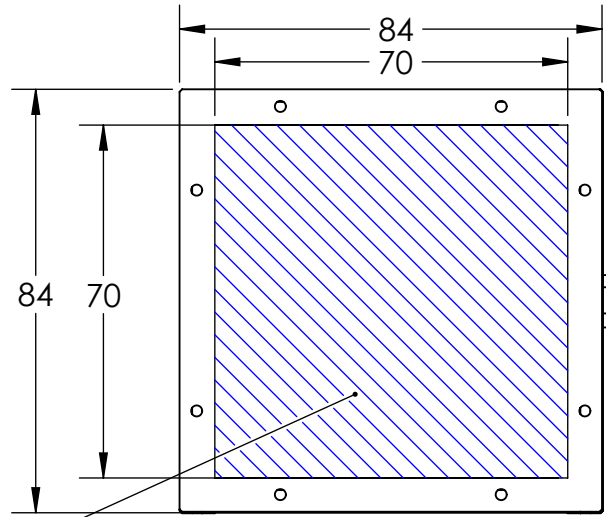
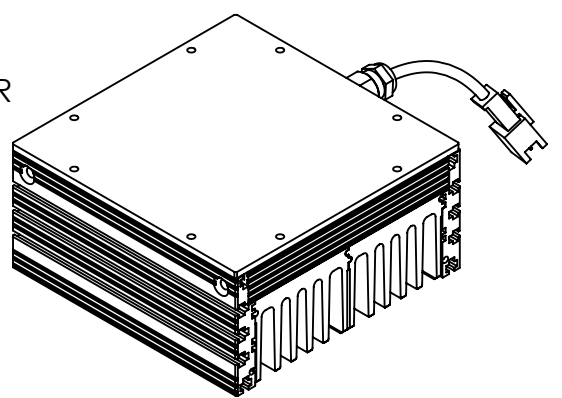


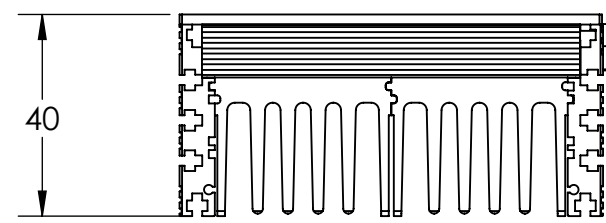
REVISIONS			
REV.	DESCRIPTIONS	EDIT BY	DATE:(d/m/y)



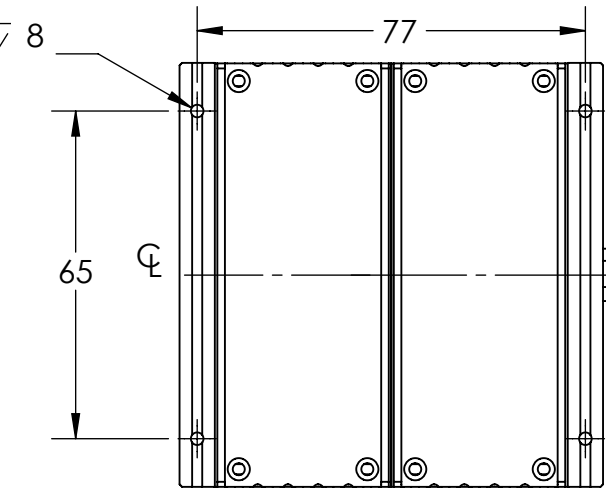
50CM CABLE & 24V CONNECTOR



EMITTING



2X TAP M3X0.5 -  $\nabla$  8  
NOT THRU



DESIGN BY	FIRDAUS	UNIT: MM
CHECK BY	NIZAM	$\oplus$ $\ominus$ SIZE A4
DATE	7/6/2022	REVISION:
MATERIAL	-	01
FINISHING	-	SCALE:
QTY	-	1:1

PRODUCT SERIES: BHH SERIES		
TITLE	DRAWING LAYOUT	GEN. TOLERANCES
PART NO	BHH-00-070-X-X-24V	X $\pm$ 0.15
DWG NO	-	X.X $\pm$ 0.1
		X.XX $\pm$ 0.05
		SHEET 1 OF 1

