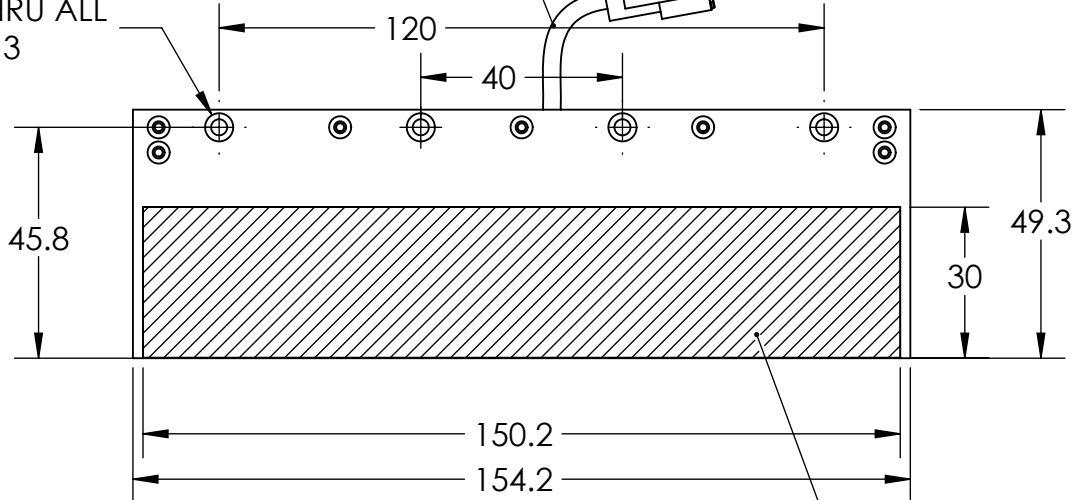
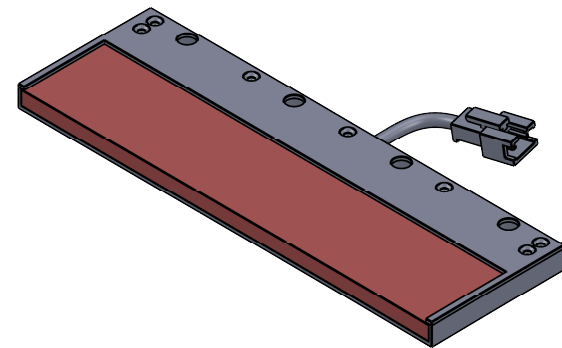


1 2 3 4 5 6 7 8

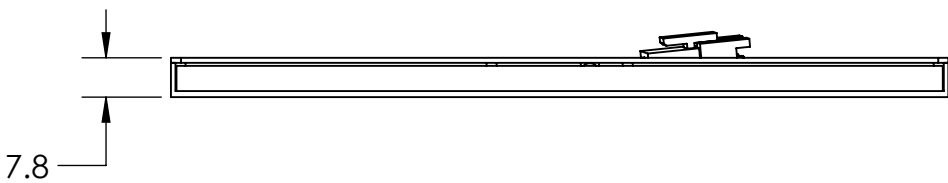
REVISIONS			
REV.	DESCRIPTIONS	EDIT BY	DATE:(d/m/y)

4X C'BORE  $\phi$  3.40 THRU ALL  
 $\square$   $\phi$  5.60  $\nabla$  3

24V CONNECTOR  
 & 50CM CABLE



EMITTING AREA



DESIGN BY	FIRDAUS	UNIT: MM
CHECK BY	NIZAM	$\phi$ $\square$ SIZE A4
DATE	7/6/2022	REVISION:
MATERIAL	-	01
FINISHING	-	SCALE:
QTY	-	1:1

PRODUCT SERIES: BHDS SERIES		
TITLE	DRAWING LAYOUT	GEN. TOLERANCES
PART NO	BHDS-00-30X150-1-X-24V	X $\pm$ 0.15
DWG NO	-	X.X $\pm$ 0.1
		X.XX $\pm$ 0.05
		SHEET 1 OF 1

1 2 3 4 5 6 7 8

D

C

B

A

D

C

B

A