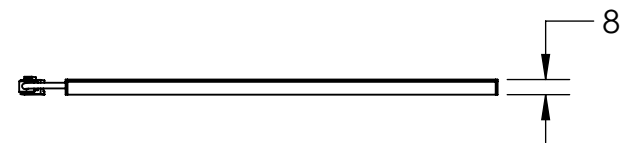
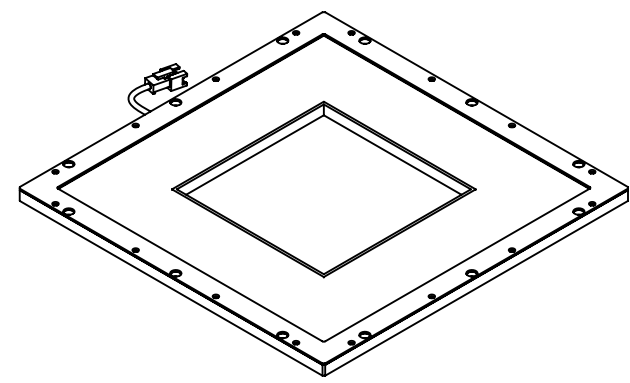
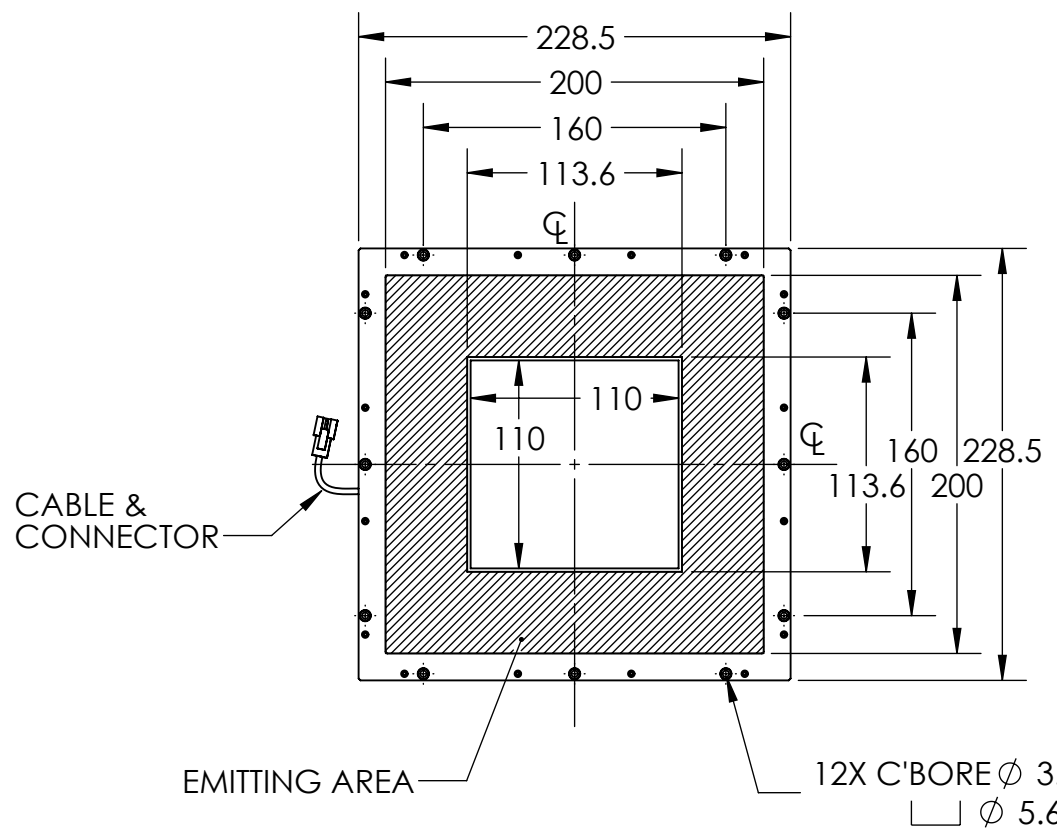


REVISIONS			
REV.	DESCRIPTIONS	EDIT BY	DATE:(d/m/y)



DESIGN BY	FIRDAUS	UNIT: MM
CHECK BY	NIZAM	⊕ ⊖ SIZE A4
DATE	7/6/2022	REVISION:
MATERIAL	-	01
FINISHING	-	SCALE:
QTY	-	1:1

PRODUCT SERIES: BHDQ SERIES		
TITLE	DRAWING LAYOUT	GEN. TOLERANCES
PART NO	BHDQ-200-1-X-24V	X ±0.15
DWG NO	-	X.X ±0.1
		X.XX ±0.05
		SHEET 1 OF 1