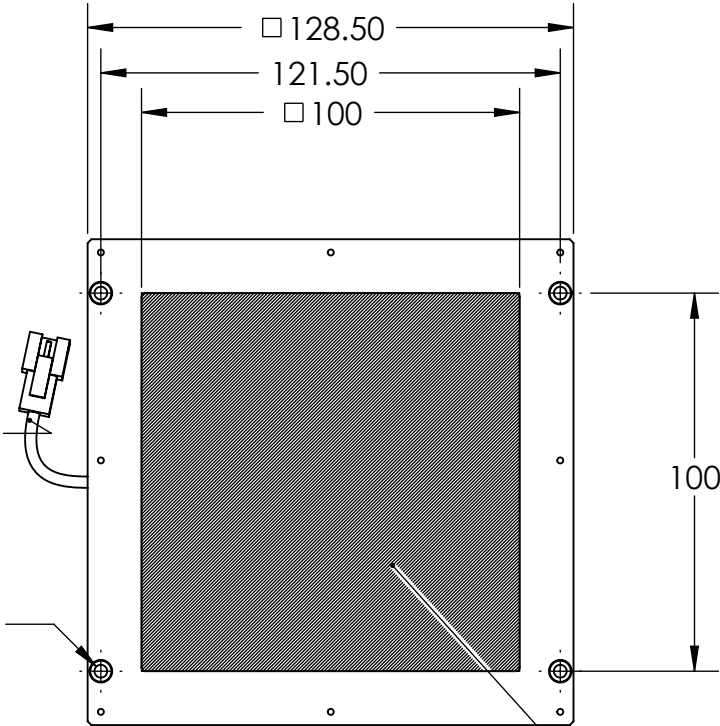


1 2 3 4 5 6 7 8

REVISIONS			
REV.	DESCRIPTIONS	EDIT BY	DATE:(d/m/y)

D

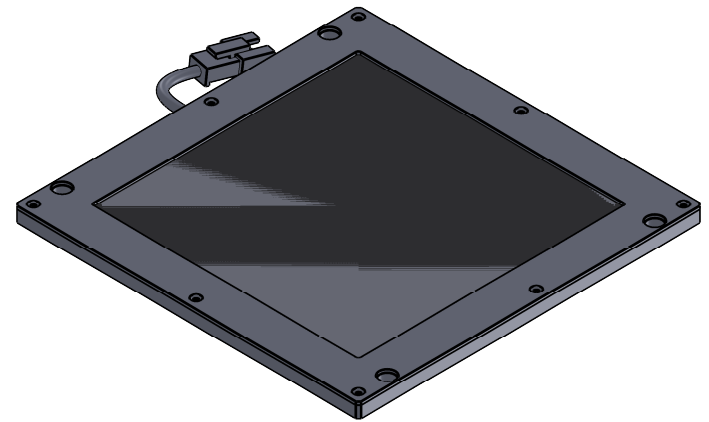
D



24V CONNECTOR & CABLE 50cm

4X ϕ 3.40 THRU ALL
□ ϕ 5.60 ∇ 3

EMITTING AREA

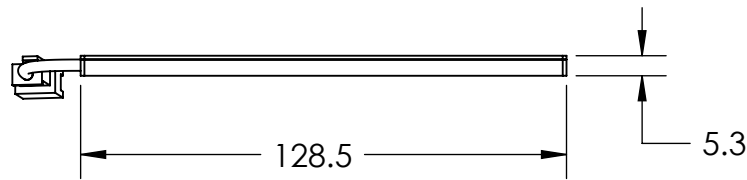


C

C

B

B



A

A

DESIGN BY	FIRDAUS	UNIT: MM	PRODUCT SERIES: BHD SERIES	
CHECK BY	NIZAM	\oplus \ominus SIZE A4		
DATE	7/6/2022	REVISION:	TITLE	DRAWING LAYOUT
MATERIAL	-	01	PART NO	BHD-00-100-1-X-24V
FINISHING	-	SCALE:	DWG NO	-
QTY	-	1:1	GEN. TOLERANCES	
			X	\pm 0.15
			X.X	\pm 0.1
			X.XX	\pm 0.05
			SHEET 1 OF 1	



1 2 3 4 5 6 7 8