

1 2 3 4 5 6 7 8

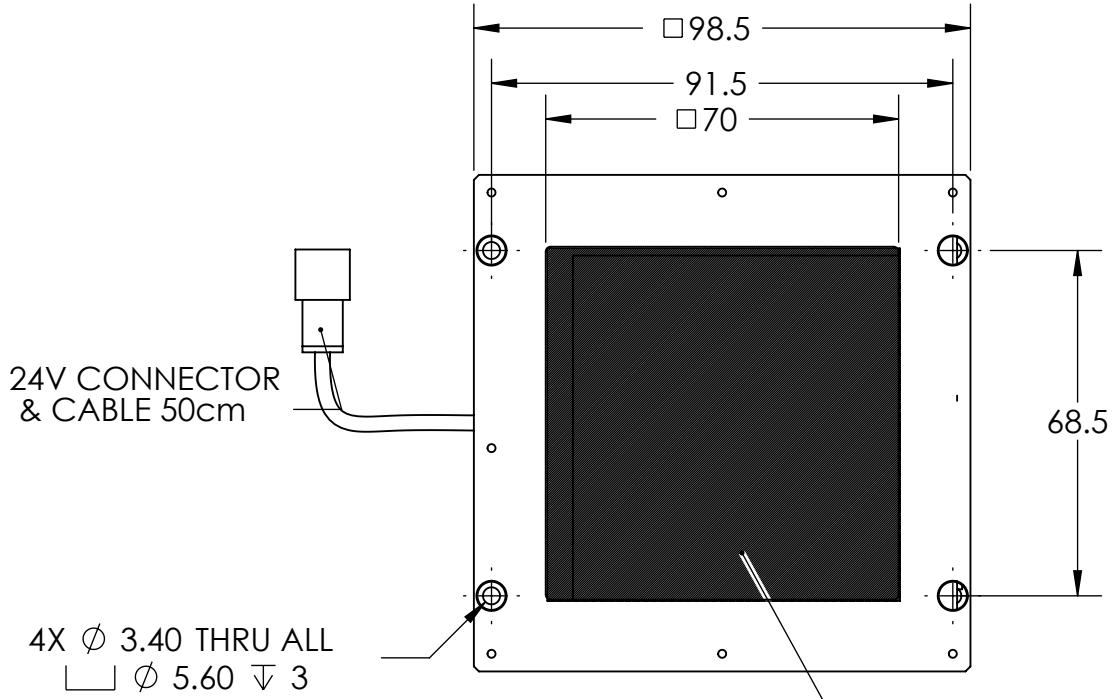
REVISIONS			
REV.	DESCRIPTIONS	EDIT BY	DATE:(d/m/y)

D

C

B

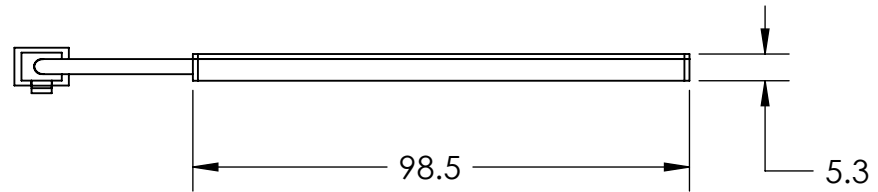
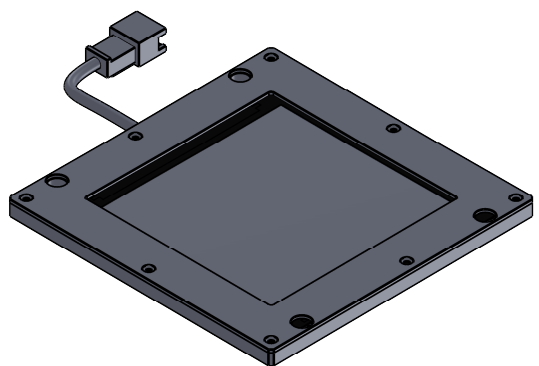
A



24V CONNECTOR & CABLE 50cm

4X Ø 3.40 THRU ALL  
 □ Ø 5.60 ▽ 3

EMITTING AREA



DESIGN BY	FIRDAUS	UNIT: MM	PRODUCT SERIES: BHD SERIES	
CHECK BY	NIZAM	SIZE A4		
DATE	7/6/2022	REVISION:	TITLE	DRAWING LAYOUT
MATERIAL	-	01	PART NO	BHD-00-070-1-X-24V
FINISHING	-	SCALE:	DWG NO	-
QTY	-	1:1	GEN. TOLERANCES	
SHEET 1 OF 1				

1 2 3 4 5 6 7 8