



❖ **GO-5000M-PGE**
5-megapixel CMOS global shutter



- **Large format 5 MP CMOS imager (global shutter)**
- **Up to 22 fps at full resolution**
- **5.0 μm square pixels**
- **Small size (29 x 29 x 41.5 mm, excluding lens mount)**
- **8/10/12-bit monochrome output**
- **60 dB linear dynamic range with built-in HDR modes up to 100 dB**
- **Analog and digital gain control for less quantized noise in low-light situations**
- **Exposure control from 10 μs to 8 seconds in 1 μs steps**
- **2X and 4X binning for increased sensitivity**
- **Single and multi-ROI modes for flexible windowing and use of 2/3" or smaller optics**
- **Accepts power over GigE Vision interface or separate 6-pin connector**
- **C-mount lens mount**
- **Automatic Level Control (ALC) for dynamic lighting conditions**



Specifications for GO-5000M-PGE

Go Series

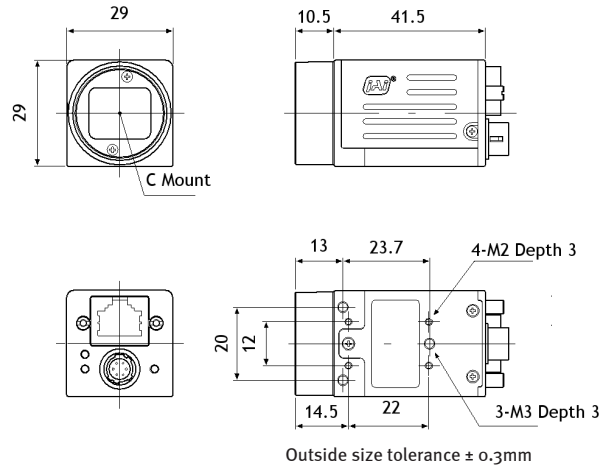
Specifications	GO-5000M-PGE
Sensor	1" CMOS global shutter (Lince5M)
Pixel clock	48 MHz
Frame rate, full frame	22 frames/sec. @ 8-bit
Active area	12.8 mm (h) x 10.2 mm (v), 16.39 mm diagonal
Cell size	5.0 μm (h) x 5.0 μm (v)
Active pixels	2560 (h) x 2048 (v)
Read-out modes	2560 (h) x 2048 (v) up to 22 fps Any start line, any height in 1-line steps, with X offset and width in 8-pixel steps
Full ROI (mono)	
Binning	1x2, 2x1, 2x2, 4x4 (monochrome only)
EMVA 1288 Parameters	10-bit output format
Absolute sensitivity	20.17 p (λ = 525 nm)
Maximum SNR	41.30 dB
Traditional SNR*	>55 dB (0 dB gain)
Video signal output	8/10/12-bit
Gain (digital)	Manual/automatic 0 dB to +24 dB
Gain (analog)	1x, 2x, 4x
Gamma	0.45, 0.6, 1.0 or 32-point LUT (16-pt. color)
Synchronization	Internal
Trigger input	Opto In, Pulse Generators, Software, User Output, Actions
Trigger modes	EPS, Trigger Width, Timed RCT (with ALC), Sequence
Electronic shutter	
Timed exposure	10 μs to 8 sec in 1 μs steps
Auto shutter	1/22 to 1/10,000 sec.
Auto Level Control (ALC)	Shutter range from 1/22 to 1/10,000, gain range from 0 dB to +24 dB Tracking speeds and max values adjustable.
High Dynamic Range function	4 built-in HDR slopes. Selectable up to ~100 dB.
Pre-processing functions	Blemish compensation (256 pixels)
Operating temperature	-5°C to +45°C
Storage temperature	-25°C to +60°C
Humidity	20 - 80% non-condensing
Vibration	10 G (20Hz to 200Hz XYZ)
Shock	80 G
Regulations	CE (EN61000-6-2, EN61000-6-3), FCC Part 15 class B, RoHS/WEEE
Power	
6-pin connector	12V to 24V DC ± 10%. 2.5W typical @ 12V
PoE	35V to 57V DC. 3.19W typical @ 55V
Lens mount	C-mount
Dimensions (H x W x L)	29 mm x 29 mm x 41.5 mm (excl. lens mount)
Weight	46 g

Ordering Information

GO-5000M-PGE | Monochrome camera with GigE Vision

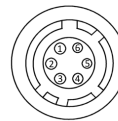
*Traditional SNR is based on random noise in a single frame, where EMVA SNR measurements consider more comprehensive noise sources and variance over time. For a more complete description, see the manual.

Dimensions



Connector pin-out

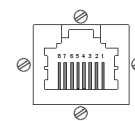
DC In / Trigger



HIROSE HR-10A-7R-6PB(73)

Pin	Signal
1	+12V to +24V DC Input
2	Opto In 1
3	Opto Out 1
4	Opto Out 2
5	Opto Common
6	GND

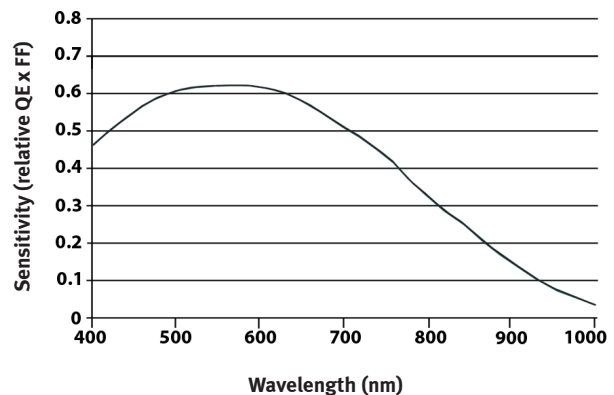
GigE Vision Interface



RJ-45 with locking screws

Pin	Signal
1	TRD+ (0)
2	TRD- (0)
3	TRD+ (1)
4	TRD+ (2)
5	TRD- (2)
6	TRD- (1)
7	TRD+ (3)
8	TRD- (3)

Spectral Response



Europe, Middle East & Africa
Phone +45 4457 8888
Fax +45 4491 3252

Asia Pacific
Phone +81 45 440 0154
Fax +81 45 440 0166

Americas
Phone (Toll-Free) 1 800 445 5444
Phone +1 408 383 0300

Visit our web site on www.jai.com

See the possibilities

