

■ 1920 X 1200

■ 50 fps

Go-X Series 

GigE[®]
VISION

❖ **GOX-2402-PGE**
2.3-megapixel CMOS global shutter



- *Go-X Series delivers exceptional combination of price and performance*
- *2.3-megapixel, 1/2.3" CMOS imager (global shutter)*
- *Up to 49.9 fps at full resolution (1920 x 1200)*
- *3.45 μ m square pixels*
- *8/10/12-bit* output in choice of monochrome or raw Bayer color models*
- *ROI settings for added flexibility*
- *Horizontal/vertical image flip function, plus blemish correction and shading compensation*
- *Includes Sequencer function and Automatic Level Control (ALC) for dynamic lighting conditions*
- *Compact size with excellent shock and vibration resistance*
- *Accepts power over GigE Vision interface or separate 6-pin connector*
- *C-mount lens mount*

* Not all processing functions supported with 12-bit output.

Specifications for GOX-2402-PGE

Go-X Series

Specifications		GOX-2402-PGE
Sensor		1/2.3" CMOS global shutter (IMX392)
Active pixels		1920 (h) x 1200 (v)
Frame rate		49.9 frames/sec. @ 8-bit mono/Bayer
Active area		6.62 mm (h) x 4.14 mm (v) - 7.81 mm diagonal
Pixel size		3.45 μm x 3.45 μm
System clock		74.25 MHz (for pulse generator)
Read-out modes	Full ROI (single) Binning	1920 (h) x 1200 (v) up to 49.9 fps H: 96 - 1904 pixels in 16-pixel steps V: 8 to 1198 lines in 2-line steps 1x2, 2x1, 2x2 (mono only)
EMVA 1288 Parameters	Absolute sensitivity Maximum SNR	10-bit output format Mono: 3.71 p Color: 4.86 p (λ = 527 nm) Mono: 39.7 dB Color: 39.7 dB
Traditional SNR*		>60 dB mono, >60 dB color (0 dB gain, 10-bit)
Video signal output		Monochrome: 8/10/12-bits† Color: 8/10/12-bit Bayer†
Gain control		Manual/auto 0 dB to +24 dB
White balance		Off, presets, or one-push/continuous AWB
Gamma/LUT		0.45 to 1.0 (9 steps) or 257-point programmable LUT
Synchronization		Internal
Video modes		Normal/Single ROI, Sequencer (Trigger & Command)
Trigger input		Opto In, Pulse Generators (4), Software, NAND Out (2), User Output (4)
Exposure modes		Timed/EPS, RCT, Trigger Width, Auto
Electronic shutter		Timed: 14.73 μs to 8 s in 1 μs steps Auto: 100 μs to 20 ms at full resolution
Auto Level Control (ALC)		Shutter range from 100 μs to 20 ms, gain range from 0 dB to +24 dB. Tracking speeds and max. values adjustable.
Shading correction		Flat shading, color shading (color model)
Pre-processing functions		H & V flip (mirroring), blemish compensation, H & V decimation
Operating temp. (ambient)		-5°C to +45°C (20 to 80% non-condensing)
Storage temp. (ambient)		-25°C to +60°C (20 to 80% non condensing)
Vibration		10G (20 Hz to 200 Hz, XYZ directions)
Shock		80G
Regulations		CE(EN 55032:2015(CISPR32:2015), EN 55035:2017(CISPR35:2016)), FCC Part 15 Class A, RoHS/WEEE, KC
Power	6-pin PoE	+10V to +25V DC. 2.7 W typical @ +12 V +36V to +57 V DC. 3.7 W typical @ +48 V
Lens mount		C-mount
Dimensions (H x W x L)		29 mm x 29 mm x 51.5 mm
Weight		65 g

Ordering Information

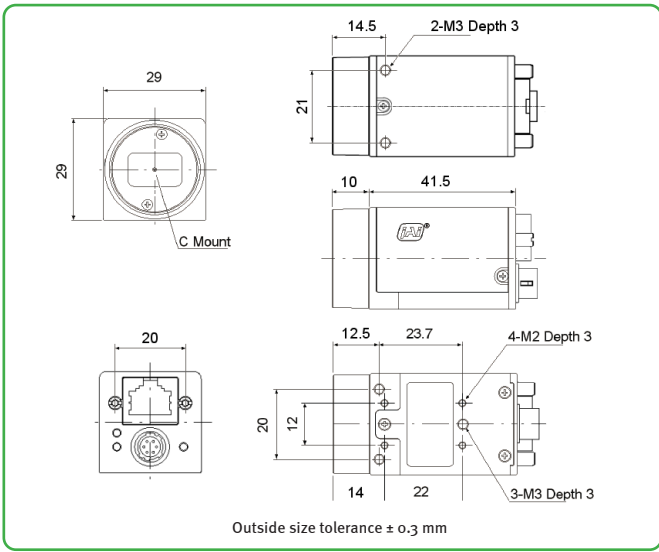
GOX-2402M-PGE	Monochrome camera with GigE Vision interface
GOX-2402C-PGE	Color camera with GigE Vision interface

*Traditional SNR is based on random noise in a single frame, where EMVA SNR measurements consider more comprehensive noise sources and variance over time.
†12-bit output only available in video processing bypass mode. See manual for details.

Europe, Middle East & Africa Phone +45 4457 8888 Fax +45 4491 8880	Asia Pacific Phone +81 45 440 0154 Fax +81 45 440 0166	Americas Phone (Toll-Free) 1 800 445 5444 Phone +1 408 383 0300
---	---	--

Visit our website on www.jai.com

Dimensions



Connector pin-out

DC In / Trigger

HIROSE HR10A-7R-6PB(73)

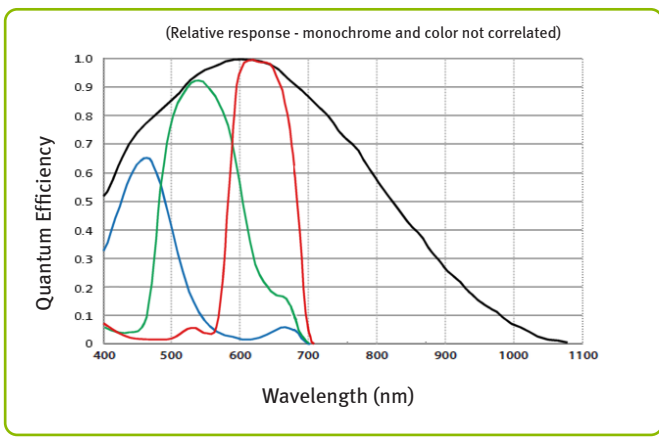
Pin	Signal
1	DC in +10V to +25V
2	Opto In+
3	Opto In-
4	Opto Out+
5	Opto Out-
6	Ground

GigE Vision Interface

RJ-45 with locking screws

Pin	Signal
1	TRD+ (0)
2	TRD- (0)
3	TRD+ (1)
4	TRD+ (2)
5	TRD- (2)
6	TRD- (1)
7	TRD+ (3)
8	TRD- (3)

Spectral response



Company and product names mentioned in this datasheet are trademarks or registered trademarks of their respective owners. JAI A-S cannot be held responsible for any technical or typographical errors and reserves the right to make changes to products and documentation without prior notice.



See the possibilities