

# MERCURY2 SERIES

## MER2-041-436U3M/C-L



- Ultra small, light and robust
- 1/2.9" global shutter CMOS sensor
- Compatible with GenICam™ and USB3 Vision®
- USB3.0 interface
- 0.4 Megapixels
- Very attractive price

The MERCURY2 USB3.0 series (MER2-U3-L) camera is DAHENG IMAGING's new generation area scan industrial digital camera, featuring outstanding performance, compact design and extremely low noise.

The MER2-041-436U3M/C-L camera is a monochrome/color USB3 Vision camera with the Sony IMX287 CMOS sensor. Thanks to the compact design (29mm × 29mm × 29mm), robust metal housings and locking screw connectors, the MERCURY2 cameras can secure the reliability of cameras deployed in harsh environments.

The MER2-041-436U3M/C-L camera is powered over the USB interface. Compared to the MER2-041-436U3M/C, the MER2-041-436U3M/C-L has no I/O interfaces, so it is more light and handy. The camera has an outstanding price/performance ratio.

The MERCURY2 family cameras are especially suitable for machine vision applications such as industrial inspection, medical, scientific research, education, security and so on.

### Features

- USB3.0 interface with 10-bit or 8-bit Mono/Bayer output
- Programmable ROI, increased frame rate with partial scan
- Gain, exposure and white balance programmable (white balance only for color models)
- Support auto gain, auto exposure and auto white balance (auto white balance only for color models)
- Two acquisition controls: Continuous acquisition/ Software trigger acquisition
- Flash sync for firing external lights at precisely the moment when exposure is performed
- Storable user sets
- Support Digital Shift
- Support Reverse X/Y (horizontal and vertical mirroring only for mono models)
- Adjustable URB
- Software reset function
- Robust full metal housing and optional lockable devices
- Compatible with GenICam™ and USB3 Vision®, support a variety of 3rd-party software such as HALCON, MERLIC and LabVIEW
- Optimized software package for 32/64bit Windows, and support Linux, Android, ARMv7 and ARMv8
- Multiple samples and easy-to-integrate SDKs for various programming tools
- Regulations: CE, RoHS, GenICam, USB3 Vision

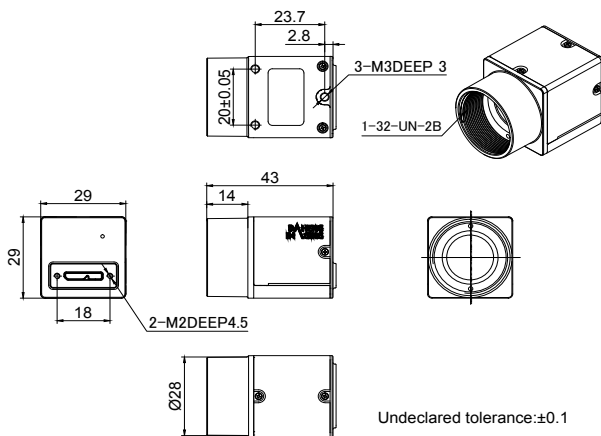
## Performance Specifications

Model	MER2-041-436U3M/C-L
Interface	USB3.0
Resolution	720(H) × 540(V)
Frame rate	438 fps @ 720 × 540
Sensor	1/2.9", Sony IMX287 Global shutter CMOS
Pixel size	6.9 μm × 6.9 μm
Pixel Bit Depth	8bit, 10bit
Spectrum	Monochrome / Color
Exposure time	20μs~1s

## Optical Specifications

Lens mount	C-Mount (standard), CS-Mount (optional)
------------	-----------------------------------------

## Technical Drawing



Units: mm

## Electrical Specifications

Power requirement	5 VDC via USB cable
I/Os	-
Data interface	Micro B with locked
Power consumption	<2.7W @5VDC

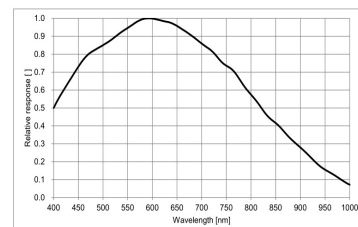
## Environmental Specifications

Operating temp.	0°C ~ +45°C
Storage temp.	-20°C ~ +70°C
Operating humidity	10% ~ 80%

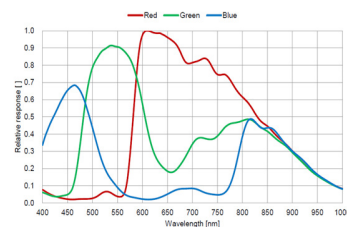
## Mechanical Specifications

Weight	61g
Dimensions	29(W)×29(H)×29(L)mm, w/o connectors

## Spectral Response



MER2-041-436U3M-L



MER2-041-436U3C-L

China Daheng Group, Inc. Beijing Image Vision Technology Branch

12F Daheng Science & Technology Tower, No.3 Suzhou Street, Haidian District,  
Beijing China, 100080

Tel: +86 10 82828878

E-mail: isales@daheng-imaging.com

For more information please visit: [www.daheng-imaging.com/en](http://www.daheng-imaging.com/en)

Specifications are subject to change without prior notice.

Copyright © 2021 China Daheng Group, Inc. Beijing Image Vision Technology Branch. All rights reserved.

August 31, 2021