

## HN-P-10M Series Lens

### HN-P-3520-10M-C2/3

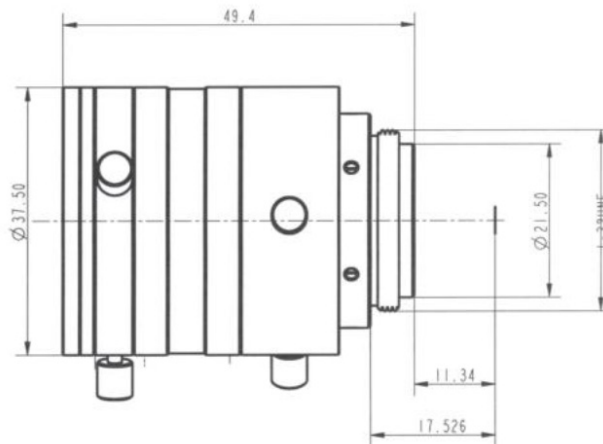


- F=35mm
- 2.4 $\mu$ m
- F2
- for 2/3 type Cameras, 10Megapixel
- Ultra-low optical distortion
- Miniaturized structure

#### Specifications

Model	HN-P-3520-10M-C2/3
Sensor Size	2/3"
Pixel size ( $\mu$ m)	3.45 & 2.4
Focal Length (mm)	35 $\pm$ 5%
Total Track Length (mm)	56 $\pm$ 0.2
Flange distance (mm)	17.526 $\pm$ 0.2
F/No.	F2-F16
Angle of View (D $\times$ H $\times$ V)	16 $^{\circ}$ $\times$ 12.9 $^{\circ}$ $\times$ 9.7 $^{\circ}$
TV Distortion(%)	$\pm$ 0.04
Basic Working Distance (mm)	500
Focus Range	0.2m- $\infty$
Filter Thread (mm)	M30.5 $\times$ 0.5
Mount	C-mount
Dimensions (mm)	$\Phi$ 37.5 $\times$ 43.2(w/o thread)
Wight	98g

#### Technical Drawing



China Daheng Group, Inc. Beijing Image Vision Technology Branch

12F Daheng Science & Technology Tower, No.3 Suzhou Street, Haidian District, Beijing China, 100080

Tel: +86 10 82828878

E-mail: isales@daheng-imaging.com