

HN-P-10M Series Lens

HN-P-1618-10M-C2/3

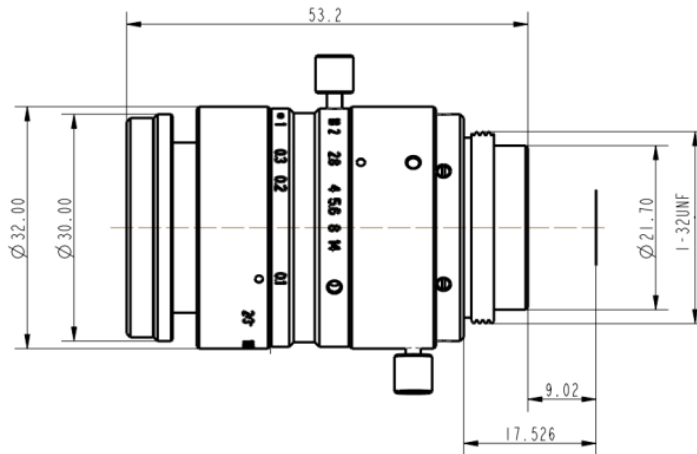


- F=16mm
- 2.4μm
- F1.8
- for 2/3 type Cameras, 10Megapixel
- Ultra-low optical distortion
- Miniaturized structure

Specifications

Model	HN-P-1618-10M-C2/3
Sensor Size	2/3"
Pixel size (μm)	3.45 & 2.4
Focal Length (mm)	16±5%
Total Track Length (mm)	58.9±0.2
Flange distance (mm)	17.526±0.2
F/No.	F1.8-F14
Angle of View (D×H×V)	36.8° × 29.8° × 22.6°
TV Distortion(%)	±0.13
Basic Working Distance (mm)	300
Focus Range	0.1m- ∞
Filter Thread (mm)	M27 × 0.5
Mount	C-mount
Dimensions (mm)	Φ32.0 × 44.7 (w/o thread)
Wight	90g

Technical Drawing



China Daheng Group, Inc. Beijing Image Vision Technology Branch

12F Daheng Science & Technology Tower, No.3 Suzhou Street, Haidian District, Beijing China, 100080

Tel: +86 10 82828878

E-mail: isales@daheng-imaging.com