

## HN-P-6M Series Lens

### HN-P-1228-6M-C2/3

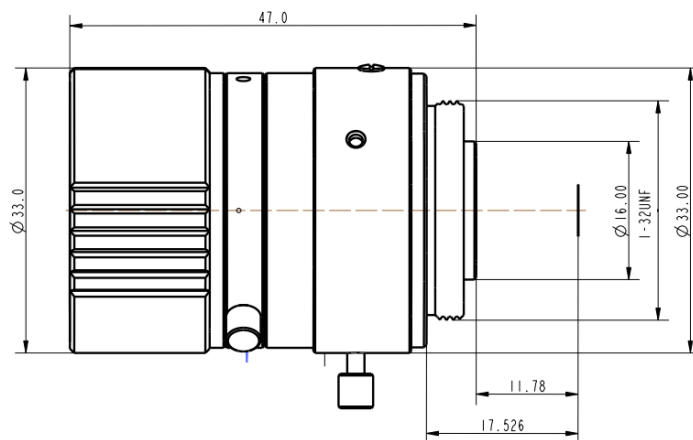


- F=12mm
- 2.4 $\mu$ m
- F2.8
- for 2/3 type Cameras, 6 Megapixel
- Ultra-low optical distortion
- Miniaturized structure

#### Specifications

Model	HN-P-1228-6M-C2/3	
Sensor Size	2/3"	
Pixel size ( $\mu$ m)	2.4	
Focal Length (mm)	12 $\pm$ 5%	
Total Track Length (mm)	55 $\pm$ 0.2	
Flange distance (mm)	17.526 $\pm$ 0.2	
F/No.	F2.8-F16	
Angle of View (D $\times$ H $\times$ V)	47.50 $^{\circ}$ $\times$ 39.00 $^{\circ}$ $\times$ 29.92 $^{\circ}$	
Distortion (%)	Optical Distortion	$\pm$ 1.2
	TV Distortion	0.51
Basic Working Distance (mm)	300	
Focus Range	0.1m- $\infty$	
Filter Thread (mm)	M30.5 $\times$ 0.5	
Mount	C-mount	
Dimensions (mm)	$\Phi$ 33.0 $\times$ 41.2 (w/o thread)	
Weight	64g	

#### Technical Drawing



China Daheng Group, Inc. Beijing Image Vision Technology Branch

12F Daheng Science & Technology Tower, No.3 Suzhou Street, Haidian District, Beijing China, 100080

Tel: +86 10 82828878

E-mail: isales@daheng-imaging.com