

HN-P-10M Series Lens

HN-P-0824-10M-C2/3

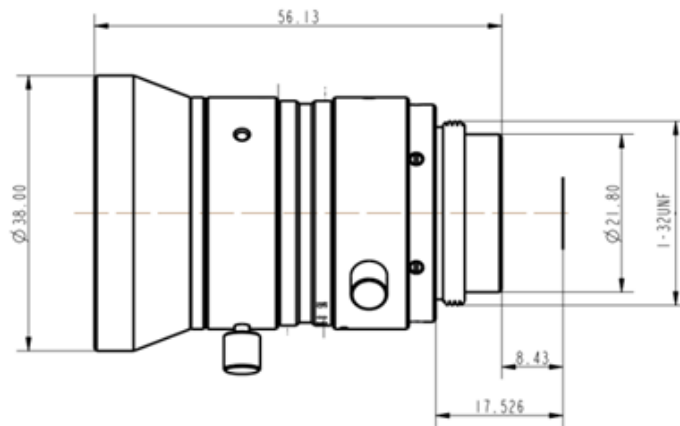


- F=8mm
- 2.4 μ m
- F2.4
- for 2/3 type Cameras, 10 Megapixel
- Ultra-low optical distortion
- Miniaturized structure

Specifications

Model	HN-P-0824-10M-C2/3
Sensor Size	2/3"
Pixel size (μ m)	3.45 & 2.4
Focal Length (mm)	8 \pm 5%
Total Track Length (mm)	62.0 \pm 0.2
Flange distance (mm)	17.526 \pm 0.2
F/No.	F2.4-F16
Angle of View (D \times H \times V)	68.3 $^{\circ}$ \times 57.5 $^{\circ}$ \times 44.9 $^{\circ}$
TV Distortion(%)	\pm 0.73
Basic Working Distance (mm)	300
Focus Range	0.1m- ∞
Filter Thread (mm)	M37 \times 0.5
Mount	C-mount
Dimensions (mm)	Φ 38.0 \times 47.0 (w/o thread)
Wight	103g

Technical Drawing



China Daheng Group, Inc. Beijing Image Vision Technology Branch

12F Daheng Science & Technology Tower, No.3 Suzhou Street, Haidian District, Beijing China, 100080

Tel: +86 10 82828878

E-mail: isales@daheng-imaging.com