

## HN-P-6M Series Lens

### HN-P-0628-6M-C1/1.8

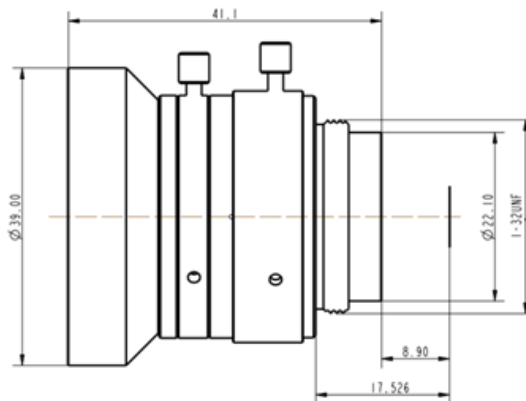


- F=6mm
- 2.4 $\mu$ m
- F2.8
- for 1/1.8 type Cameras, 6 Megapixel
- Ultra-low optical distortion
- Miniaturized structure

#### Specifications

Model	HN-P-0628-6M-C1/1.8
Sensor Size	1/1.8"
Pixel size ( $\mu$ m)	2.4
Focal Length (mm)	6 $\pm$ 5%
Total Track Length (mm)	49.5 $\pm$ 0.2
Flange distance (mm)	17.526 $\pm$ 0.2
F/No.	F2.8-F16
Angle of View (D $\times$ H $\times$ V)	74.96 $^{\circ}$ $\times$ 62.5 $^{\circ}$ $\times$ 44.47 $^{\circ}$
TV Distortion(%)	$\pm$ 0.2
Basic Working Distance (mm)	300
Focus Range	0.1m- $\infty$
Filter Thread (mm)	M37.5 $\times$ 0.5
Mount	C-mount
Dimensions (mm)	$\Phi$ 39.0 $\times$ 32.5 (w/o thread)
Weight	66g

#### Technical Drawing



China Daheng Group, Inc. Beijing Image Vision Technology Branch

12F Daheng Science & Technology Tower, No.3 Suzhou Street, Haidian District, Beijing China, 100080

Tel: +86 10 82828878

E-mail: isales@daheng-imaging.com